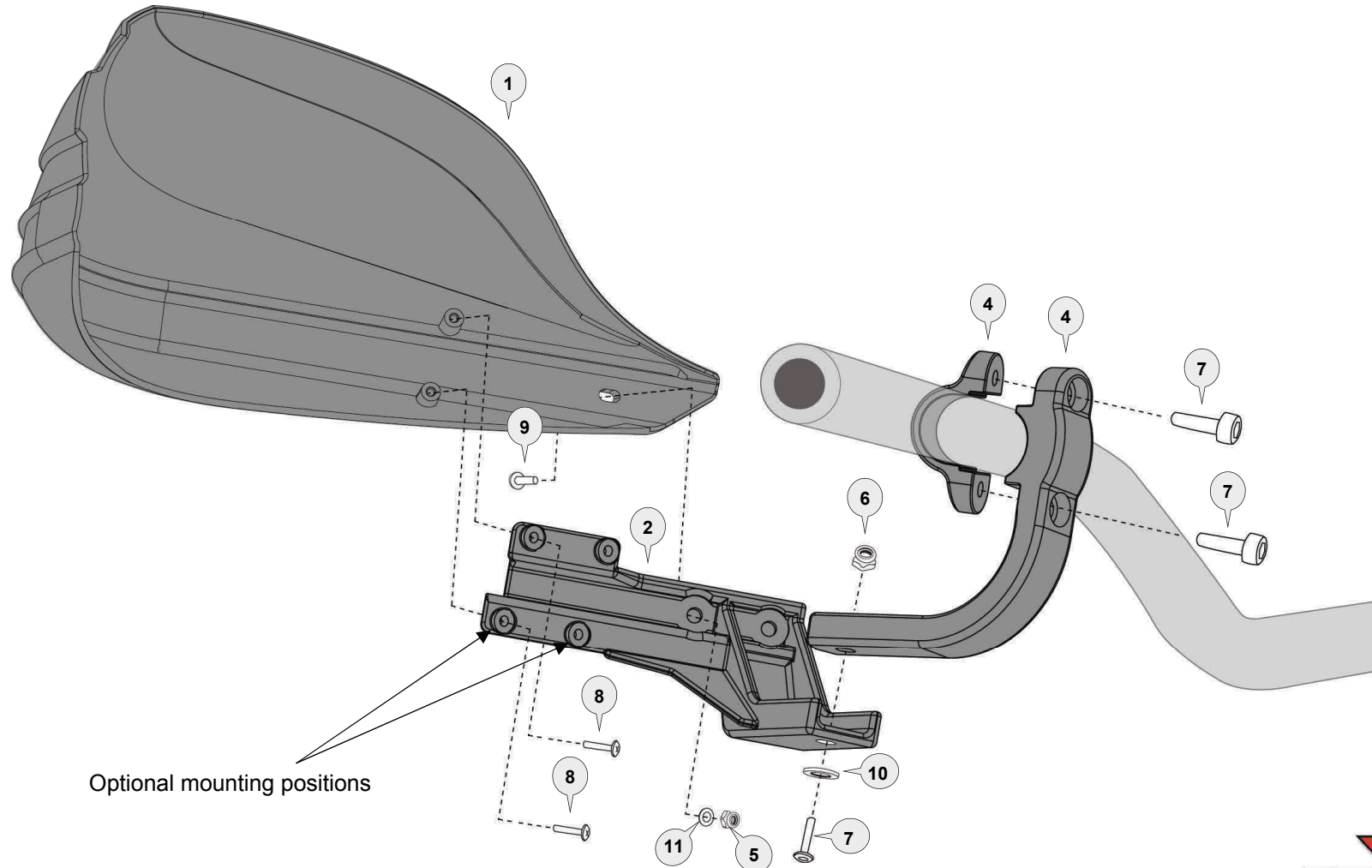


LEFT SIDE



1 Storm Plastic



PN: SP1
Pcs. 1 Left & 1 Right

2 L-Bracket Left



PN: LB-L
Pcs. 1

3 L-Bracket Right



PN: LB-R
Pcs. 1

4 Clamp Frame & Saddle



PN: CFS-22
Pcs. 2 sets

5 Nylock Nut 5mm



PN: M5LN
Pcs. 2

6 Nylock Nut 6mm



PN: M6LN
Pcs. 2

7 Button Head Bolt



PN: M6x20BHCSZP
Pcs. 6

8 Mush Head Screw



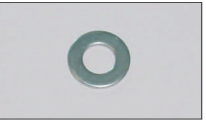
PN: SCREWPT3.5X14
Pcs. 4

9 Mush Head Bolt



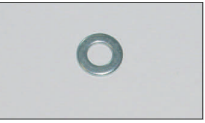
PN: M5x15SPMH
Pcs. 2

10 Flat Washer 6mm



PN: M6FW
Pcs. 2

11 Flat Washer 5mm



PN: M5FW
Pcs. 2

Recommended Torque Settings	
M6	10 Nm (7.4 lbf ft)

CAUTION:

Installation of the handguard is safety-relevant work and can be complicated. We recommend the installation be performed by a motorcycle service technician. Rideworx accepts no liability for damages caused by improper mounting. All screws, bolts and nuts, including all replacement hardware provided by Rideworx, should be tightened to the torque specified in the below table. After the first 50km of riding check all screws, bolts and nuts are tightened to the correct torque. We recommend a medium strength liquid thread lock product on all fasteners.

WARNING:

Check operation of all handlebar controls, specifically the throttle, front brake, kill switch and clutch to ensure they are operating correctly and are in accordance with the OEM specifications. Do not ride the motorcycle if any controls are not operating correctly. Check periodically that all bolts are tight.



Phone: +61 (0)2 4271 8244
Email: info@barkbusters.net
Web: www.barkbusters.net



Disclaimer:

A failure to follow these fitting instructions could cause serious injury, death or property damage. These handguards are intended solely for use with motorcycles/ATV/snowmobiles/scooters that have not been modified. They are not designed to prevent injury or death while riding or in an accident or crash. The user must ensure that all controls are free of the handguards every time that they ride. By installing and/or using this product you acknowledge that you accept these terms and have followed the fitting instructions.